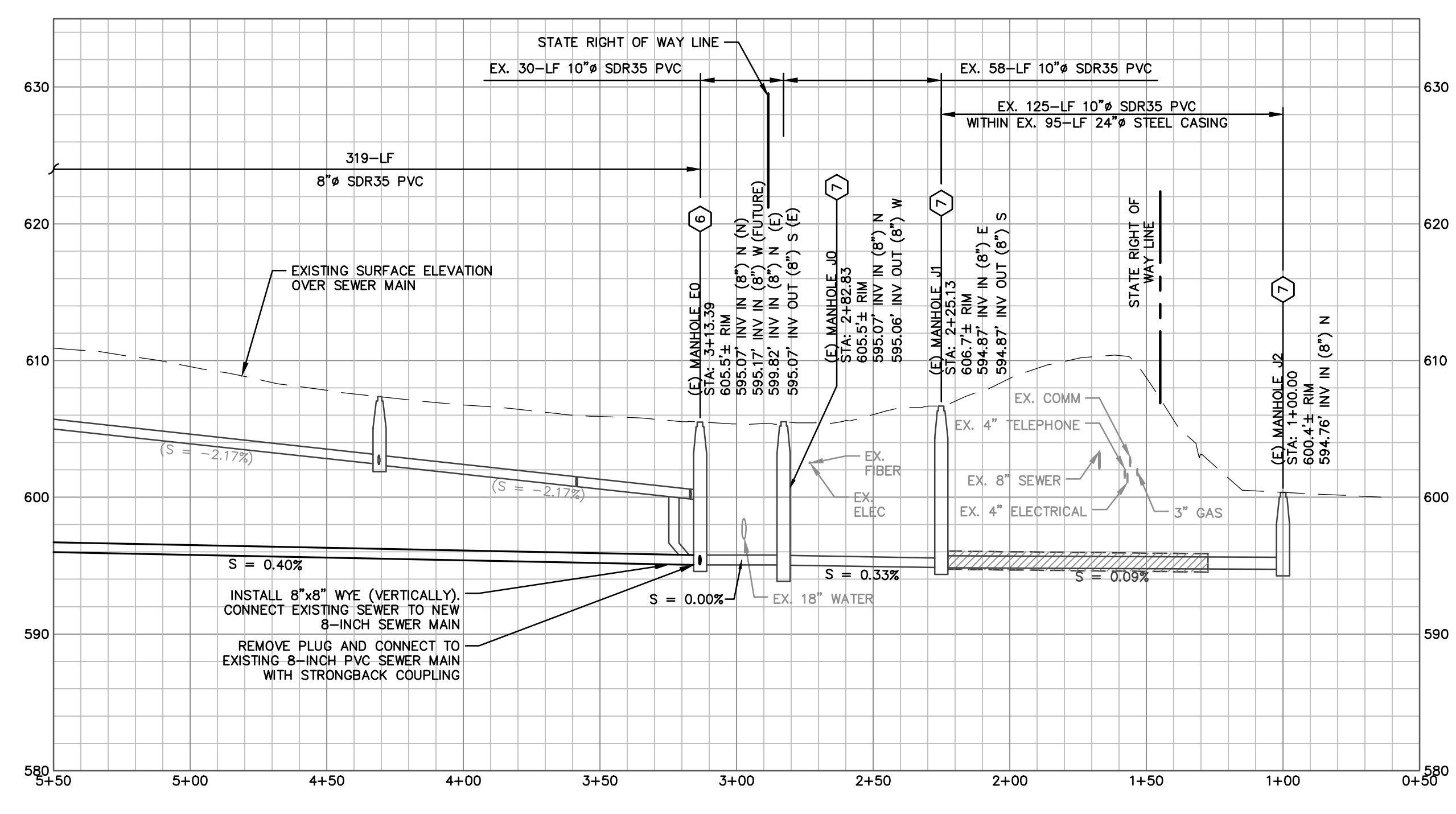


HORIZON DRIVE EASEMENT AND HWY 246 – PLAN VIEW
SCALE HORIZ 1" = 40'



HORIZON DRIVE EASEMENT AND HWY 246 – PROFILE VIEW
SCALE: HORIZ 1" = 40'; VERT 1" = 8'

GENERAL NOTES

1. LOCATION AND DEPTH OF EXISTING UTILITIES ARE APPROXIMATE AND BASED ON AVAILABLE INFORMATION PROVIDED BY UTILITY COMPANIES. IN INSTANCES WHERE NO VERTICAL UTILITY INFORMATION COULD BE FOUND, THE DEPTH OF THESE UTILITIES ARE SHOWN THREE FEET BELOW GROUND SURFACE.
2. OVERHEAD UTILITIES ARE NOT SHOWN IN ALL INSTANCES. CONTRACTOR SHALL USE DUE CARE WHEN WORKING NEAR OR UNDER SAID UTILITIES AND SHALL PROTECT THEM IN PLACE.
3. THE CONTRACTOR SHALL NOT INTERRUPT THE UTILITY SERVICE FUNCTION, DISTURB THE SUPPORT BASE, OR MODIFY ANY FACILITY WITHOUT AUTHORITY FROM THE UTILITY OWNER.
4. PRIOR TO CONSTRUCTION, CONTRACTOR SHALL POTHOLE AND VERIFY LOCATION AND DEPTH OF EXISTING UTILITIES, INCLUDING THE FLOWLINE OF THE EXISTING TIE-IN CLEANOUT, AND NOTIFY ENGINEER OF ANY DISCREPANCIES. CONTRACTOR SHALL USE POSITIVE LOCATION METHODS PER CALTRANS PUBLICATION – "POLICY ON HIGH AND LOW RISK UNDERGROUND FACILITIES WITHIN HIGHWAY RIGHTS OF WAY".
5. EXISTING PIPELINES/UTILITIES THAT CROSS NEW SYSTEM PIPING OR SIMILAR EXCAVATIONS REQUIRED TO CONSTRUCT THE PIPING, SHALL BE PROTECTED IN PLACE, UNLESS OTHERWISE NOTED. ALL EXISTING PIPELINES/UTILITIES SHALL BE SUPPORTED ACROSS THE EXCAVATION DURING CONSTRUCTION.
6. THE CONTRACTOR SHALL NOTIFY THE ENGINEER IMMEDIATELY OF THE DISCOVERY OF ANY UTILITY THAT WAS OMITTED FROM THE PLANS, INCORRECTLY SHOWN OR NOT PROPERLY MARKED. IF THE UTILITY DOES NOT PROVIDE LOCATION INFORMATION OR MARKING SERVICES IN THE FIELD, THE CONTRACTOR SHALL IMMEDIATELY NOTIFY THE ENGINEER.
7. THE CONTRACTOR SHALL IMMEDIATELY NOTIFY THE UTILITY OWNER IF ANY UTILITY IS DISTURBED OR DAMAGED DURING THE COURSE OF THE WORK. THE CONTRACTOR SHALL BEAR THE COSTS OF REPAIR OR REPLACEMENT OF ANY MARKED UTILITY WHERE DAMAGE WAS CAUSED BY THE CONTRACTOR'S ACTIVITIES.
8. CONTACT SANTA YNEZ RIVER WATER CONSERVATION DISTRICT TO LOWER/RAISE ANY EXISTING WATER LINES IF 1' MINIMUM CLEARANCE CAN NOT BE MAINTAINED.
9. PROTECT EXISTING TREES, FENCES, LANDSCAPE AND REMOVABLE IN PLACE. IF DAMAGED DUE TO CONTRACTOR'S OPERATION, REPLACE IN KIND TO SATISFACTION OF CITY AND/OR PROPERTY OWNER.

CONSTRUCTION NOTES

- (2) INSTALL 8" SDR35 PVC SANITARY SEWER MAIN PER SYCSD STANDARD SPECIFICATIONS IN OPEN TRENCH PER SYCSD STANDARD DETAIL S-2, SHEET 6.
- (6) CONNECT TO EXISTING MANHOLE PER SYCSD STANDARD DETAIL S-8, SHEET 6.
- (7) EXISTING MANHOLE SHOWN FOR REFERENCE ONLY.
- (8) REMOVE ANY INTERFERING ABANDONED DRY WELLS.
- (9) PROTECT IN PLACE.
- (11) REMOVE AND DISPOSE OF EXISTING ASPHALT
- (12) INSTALL NEW COMPACTED PEA GRAVEL DRIVEWAY. GRAVEL TO MATCH EXISTING. INSTALL TO A DEPTH OF 2-INCHES MINIMUM.

F:\proj\2004\040525\040525-03\3 project design\Civil\construction drawings\redesign - 8 inch sewer\CE0-0525-03SS0001.dwg 3-15-21 03:44:35 PM nhutp



REV. NO	DATE	REVISED	DESTROY ALL PRINTS BEARING EARLIER DATE	REV. BY	CKD. BY	APRD BY



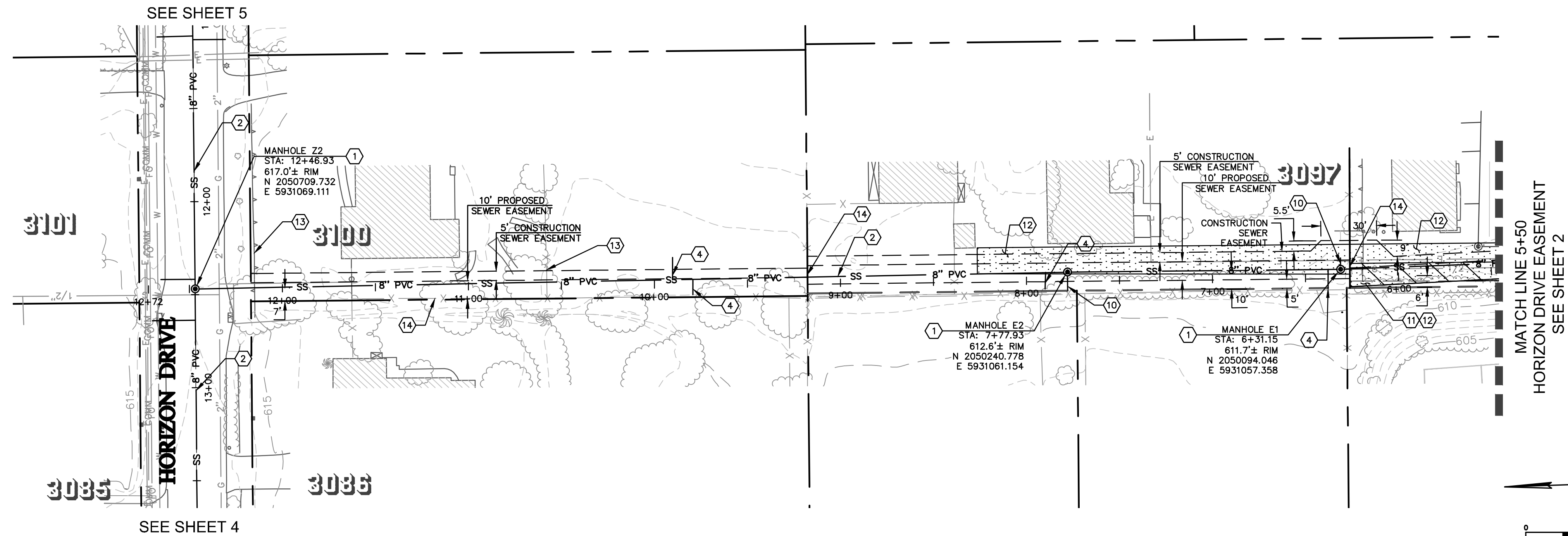
Cannon

1050 Southwood Drive
San Luis Obispo, CA 93401
P 805.544.7407 F 805.544.3863

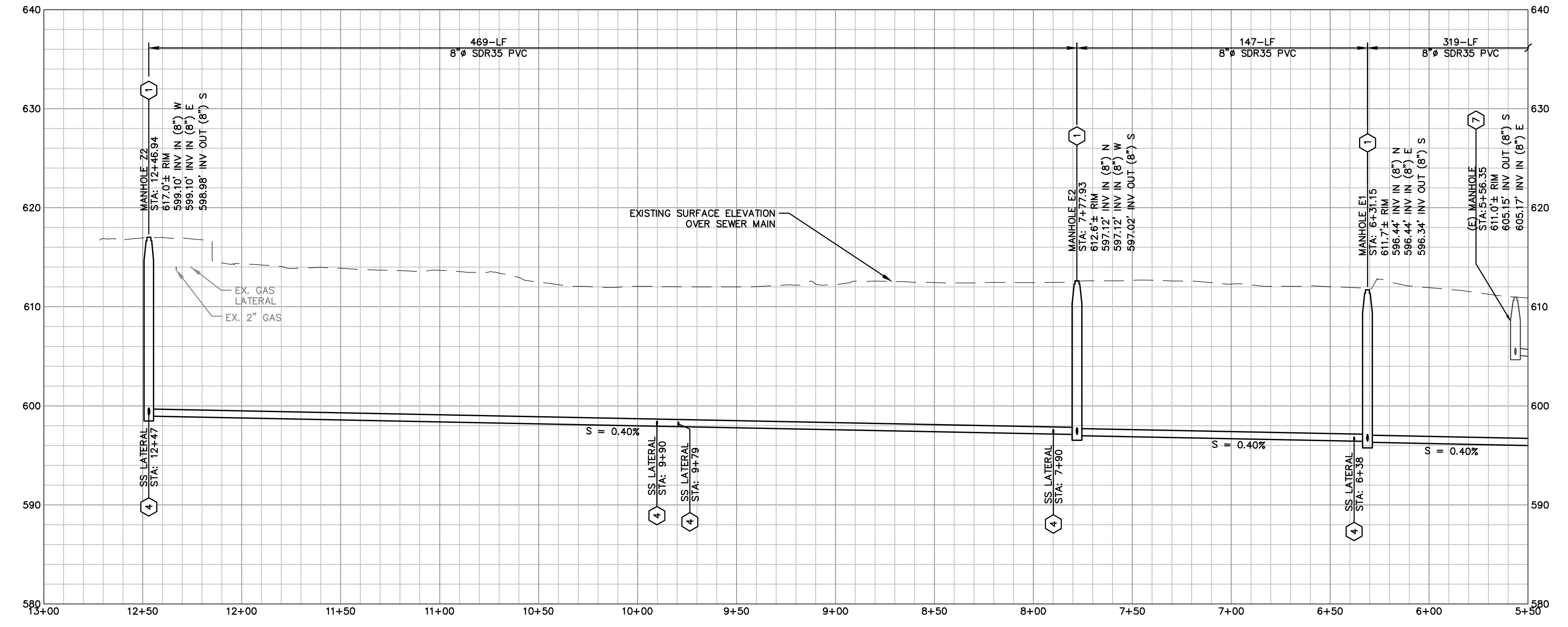
THESE DRAWINGS ARE INSTRUMENTS OF SERVICE AND ARE THE PROPERTY OF CANNON. ALL DESIGNS AND INFORMATION ON THESE DRAWINGS ARE FOR USE OF THE SPECIFIED PROJECT AND SHALL NOT BE USED OTHERWISE OR REPRODUCED WITHOUT THE EXPRESSED WRITTEN PERMISSION OF CANNON.

SANTA YNEZ COMMUNITY SERVICES DISTRICT
WEST SEWER SYSTEM EXPANSION PHASE I
HORIZON DRIVE EASEMENT AND
HWY 246 PLAN AND PROFILE
SANTA YNEZ, CALIFORNIA

DRAWN BY JAK/CMM/JD/NP	DATE 03/17/21	CA JOB NO. 040525.03
CHECKED BY LK	SCALE 1" = 40'	SHEET 2 OF 6



HORIZON DRIVE EASEMENT – PLAN VIEW
SCALE HORIZ 1" = 40'



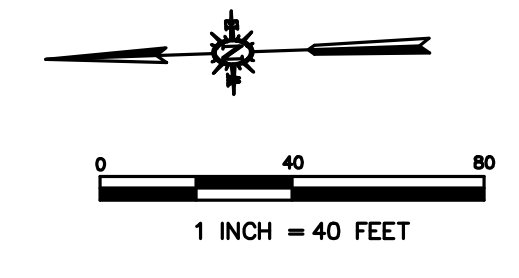
HORIZON DRIVE EASEMENT – PROFILE VIEW
SCALE: HORIZ 1" = 40'; VERT 1" = 8'

GENERAL NOTES

1. LOCATION AND DEPTH OF EXISTING UTILITIES ARE APPROXIMATE AND BASED ON AVAILABLE INFORMATION PROVIDED BY UTILITY COMPANIES. IN INSTANCES WHERE NO VERTICAL UTILITY INFORMATION COULD BE FOUND, THE DEPTH OF THESE UTILITIES ARE SHOWN THREE FEET BELOW GROUND SURFACE.
2. OVERHEAD UTILITIES ARE NOT SHOWN IN ALL INSTANCES. CONTRACTOR SHALL USE DUE CARE WHEN WORKING NEAR OR UNDER SAID UTILITIES AND SHALL PROTECT THEM IN PLACE.
3. THE CONTRACTOR SHALL NOT INTERRUPT THE UTILITY SERVICE FUNCTION, DISTURB THE SUPPORT BASE, OR MODIFY ANY FACILITY WITHOUT AUTHORITY FROM THE UTILITY OWNER.
4. PRIOR TO CONSTRUCTION, CONTRACTOR SHALL POTHOLE AND VERIFY LOCATION AND DEPTH OF EXISTING UTILITIES, INCLUDING THE FLOWLINE OF THE EXISTING TIE-IN CLEANOUT, AND NOTIFY ENGINEER OF ANY DISCREPANCIES. CONTRACTOR SHALL USE POSITIVE LOCATION METHODS PER CALTRANS PUBLICATION – "POLICY ON HIGH AND LOW RISK UNDERGROUND FACILITIES WITHIN HIGHWAY RIGHTS OF WAY".
5. EXISTING PIPELINES/UTILITIES THAT CROSS NEW SYSTEM PIPING OR SIMILAR EXCAVATIONS REQUIRED TO CONSTRUCT THE PIPING, SHALL BE PROTECTED IN PLACE, UNLESS OTHERWISE NOTED. ALL EXISTING PIPELINES/UTILITIES SHALL BE SUPPORTED ACROSS THE EXCAVATION DURING CONSTRUCTION.
6. THE CONTRACTOR SHALL NOTIFY THE ENGINEER IMMEDIATELY OF THE DISCOVERY OF ANY UTILITY THAT WAS OMITTED FROM THE PLANS, INCORRECTLY SHOWN OR NOT PROPERLY MARKED. IF THE UTILITY DOES NOT PROVIDE LOCATION INFORMATION OR MARKING SERVICES IN THE FIELD, THE CONTRACTOR SHALL IMMEDIATELY NOTIFY THE ENGINEER.
7. THE CONTRACTOR SHALL IMMEDIATELY NOTIFY THE UTILITY OWNER IF ANY UTILITY IS DISTURBED OR DAMAGED DURING THE COURSE OF THE WORK. THE CONTRACTOR SHALL BEAR THE COSTS OF REPAIR OR REPLACEMENT OF ANY MARKED UTILITY WHERE DAMAGE WAS CAUSED BY THE CONTRACTOR'S ACTIVITIES.
8. CONTACT SANTA YNEZ RIVER WATER CONSERVATION DISTRICT TO LOWER/RAISE ANY EXISTING WATER LINES IF 1' MINIMUM CLEARANCE CAN NOT BE MAINTAINED.
9. PROTECT EXISTING TREES, FENCES, LANDSCAPE AND REMOVABLE IN PLACE. IF DAMAGED DUE TO CONTRACTOR'S OPERATION, REPLACE IN KIND TO SATISFACTION OF CITY AND/OR PROPERTY OWNER.

CONSTRUCTION NOTES

1. INSTALL 48" SANITARY SEWER MANHOLE PER SYCSD STANDARD DETAIL S-8, SHEET 6.
2. INSTALL 8" SDR35 PVC SANITARY SEWER MAIN PER SYCSD STANDARD SPECIFICATIONS IN OPEN TRENCH PER SYCSD STANDARD DETAIL S-2, SHEET 6.
4. INSTALL AND CAP LATERAL WYE PER SYCSD STANDARD DETAIL S-3, ON SHEET 6.
7. EXISTING MANHOLE SHOWN FOR REFERENCE ONLY.
9. PROTECT IN PLACE.
10. INSTALL 8" SANITARY SEWER MAIN STUB OUT AND CAP FOR FUTURE CONNECTION. 0.40% MIN SLOPE.
11. REMOVE AND DISPOSE OF EXISTING ASPHALT
12. INSTALL NEW COMPACTED PEA GRAVEL DRIVEWAY. GRAVEL TO MATCH EXISTING. INSTALL TO A DEPTH OF 2-INCHES MINIMUM.
13. REPLACE RETAINING WALLS AS NEEDED
14. REMOVE AND REPLACE EXISTING FENCE AS NEEDED



REV. NO	DATE	REVISED	DESTROY ALL PRINTS BEARING EARLIER DATE	REV. BY	CKD. BY	APRD BY

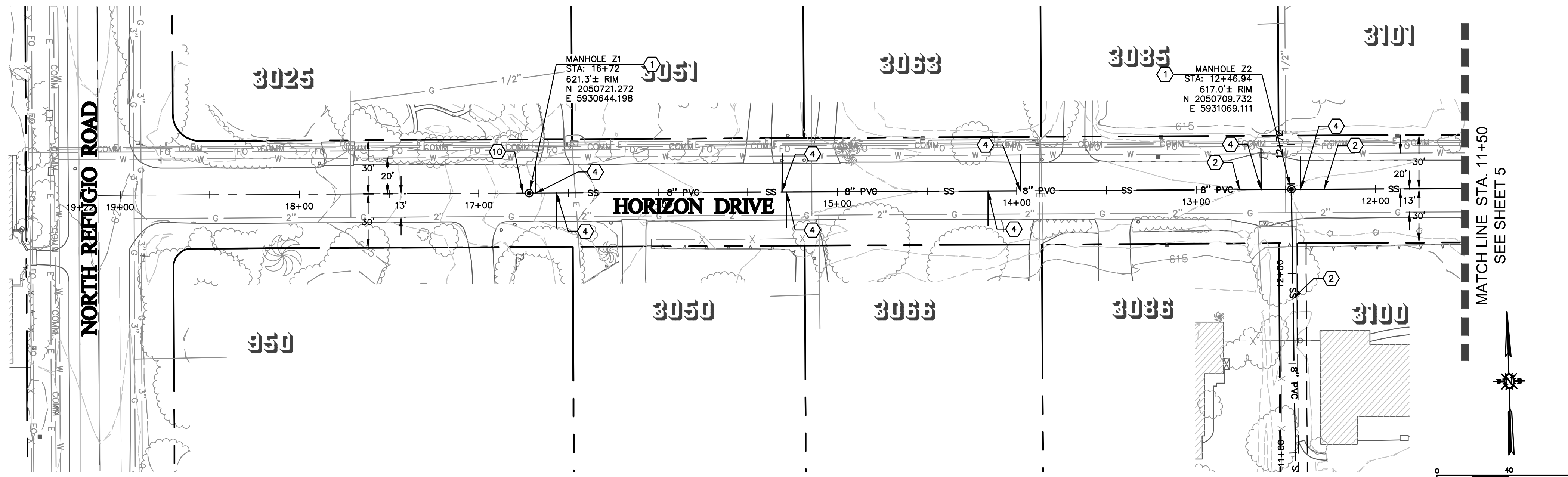


SANTA YNEZ COMMUNITY SERVICES DISTRICT
WEST SEWER SYSTEM EXPANSION PHASE I
HORIZON DRIVE EASEMENT PLAN AND PROFILE
SANTA YNEZ, CALIFORNIA

DRAWN BY JAK/CMM/JD/NP	DATE 03/17/21	CA JOB NO. 040525.03
CHECKED BY LK	SCALE 1" = 40'	SHEET 3 OF 6

F:\pro\2004\040525\040525-03\3 project design\Civil\construction drawings\redesign - 8 inch sewer\CE040525-03SS0001.dwg 3-15-21 03:44:56 PM nhtup





HORIZON DRIVE – PLAN VIEW
SCALE HORIZ 1" = 40'

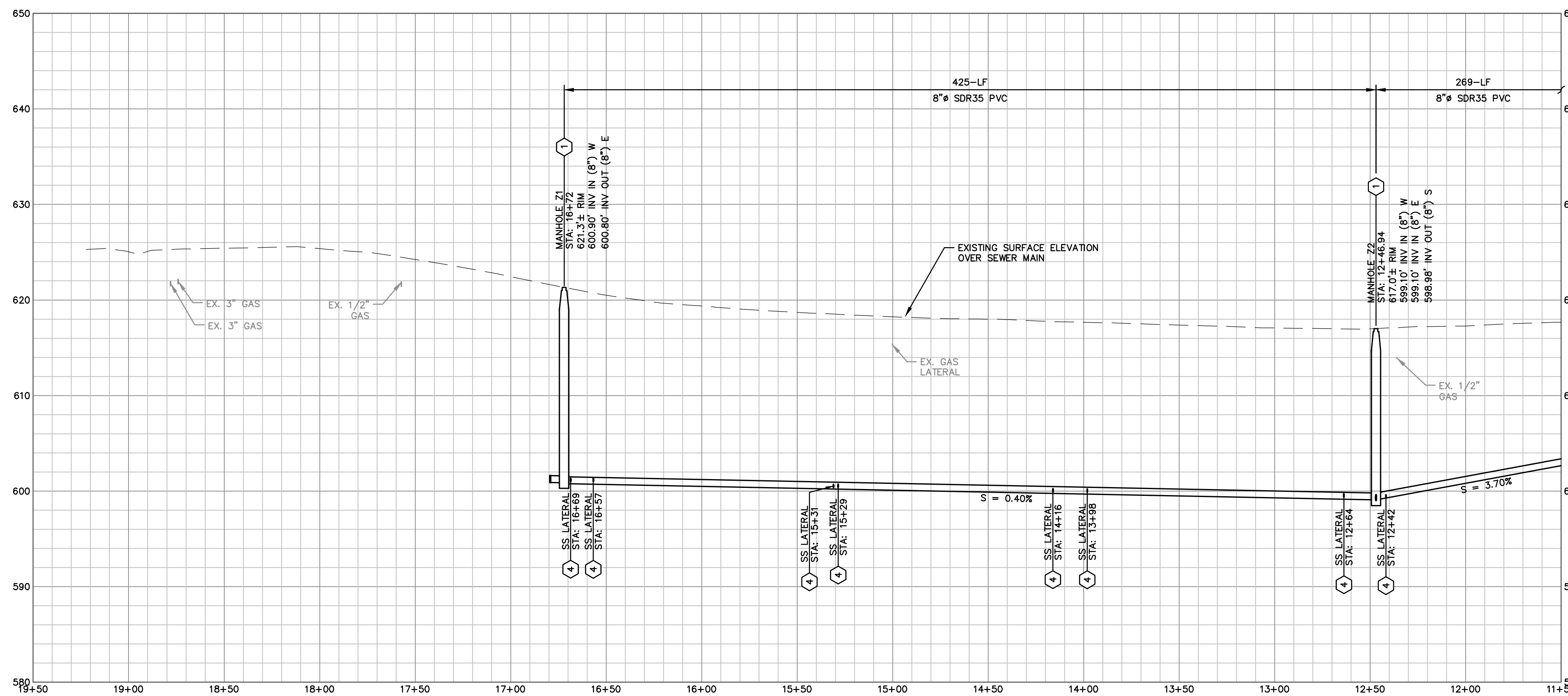
**HORIZON DRIVE EASEMENT
SEE SHEET 3**

GENERAL NOTES

1. LOCATION AND DEPTH OF EXISTING UTILITIES ARE APPROXIMATE AND BASED ON AVAILABLE INFORMATION PROVIDED BY UTILITY COMPANIES. IN INSTANCES WHERE NO VERTICAL UTILITY INFORMATION COULD BE FOUND, THE DEPTH OF THESE UTILITIES ARE SHOWN THREE FEET BELOW GROUND SURFACE.
2. OVERHEAD UTILITIES ARE NOT SHOWN IN ALL INSTANCES. CONTRACTOR SHALL USE DUE CARE WHEN WORKING NEAR OR UNDER SAID UTILITIES AND SHALL PROTECT THEM IN PLACE.
3. THE CONTRACTOR SHALL NOT INTERRUPT THE UTILITY SERVICE FUNCTION, DISTURB THE SUPPORT BASE, OR MODIFY ANY FACILITY WITHOUT AUTHORITY FROM THE UTILITY OWNER.
4. PRIOR TO CONSTRUCTION, CONTRACTOR SHALL POTHOLE AND VERIFY LOCATION AND DEPTH OF EXISTING UTILITIES, INCLUDING THE FLOWLINE OF THE EXISTING TIE-IN CLEANOUT, AND NOTIFY ENGINEER OF ANY DISCREPANCIES. CONTRACTOR SHALL USE POSITIVE LOCATION METHODS PER CALTRANS PUBLICATION – "POLICY ON HIGH AND LOW RISK UNDERGROUND FACILITIES WITHIN HIGHWAY RIGHTS OF WAY".
5. EXISTING PIPELINES/UTILITIES THAT CROSS NEW SYSTEM PIPING OR SIMILAR EXCAVATIONS REQUIRED TO CONSTRUCT THE PIPING, SHALL BE PROTECTED IN PLACE, UNLESS OTHERWISE NOTED. ALL EXISTING PIPELINES/UTILITIES SHALL BE SUPPORTED ACROSS THE EXCAVATION DURING CONSTRUCTION.
6. THE CONTRACTOR SHALL NOTIFY THE ENGINEER IMMEDIATELY OF THE DISCOVERY OF ANY UTILITY THAT WAS OMITTED FROM THE PLANS, INCORRECTLY SHOWN OR NOT PROPERLY MARKED. IF THE UTILITY DOES NOT PROVIDE LOCATION INFORMATION OR MARKING SERVICES IN THE FIELD, THE CONTRACTOR SHALL IMMEDIATELY NOTIFY THE ENGINEER.
7. THE CONTRACTOR SHALL IMMEDIATELY NOTIFY THE UTILITY OWNER IF ANY UTILITY IS DISTURBED OR DAMAGED DURING THE COURSE OF THE WORK. THE CONTRACTOR SHALL BEAR THE COSTS OF REPAIR OR REPLACEMENT OF ANY MARKED UTILITY WHERE DAMAGE WAS CAUSED BY THE CONTRACTOR'S ACTIVITIES.
8. CONTACT SANTA YNEZ RIVER WATER CONSERVATION DISTRICT TO LOWER/RAISE ANY EXISTING WATER LINES IF 1' MINIMUM CLEARANCE CAN NOT BE MAINTAINED.
9. PROTECT EXISTING TREES, FENCES, LANDSCAPE AND REMOVABLE IN PLACE. IF DAMAGED DUE TO CONTRACTOR'S OPERATION, REPLACE IN KIND TO SATISFACTION OF CITY AND/OR PROPERTY OWNER.

CONSTRUCTION NOTES

1. INSTALL 48" Ø SANITARY SEWER MANHOLE PER SYCSD STANDARD DETAIL S-8, SHEET 6.
2. INSTALL 8" SDR35 PVC SANITARY SEWER MAIN PER SYCSD STANDARD SPECIFICATIONS IN OPEN TRENCH PER SYCSD STANDARD DETAIL S-2, SHEET 6.
3. INSTALL AND CAP LATERAL WYE PER SYCSD STANDARD DETAIL S-3, ON SHEET 6. EXTEND LATERALS TO 2 FEET BEYOND EDGE OF PAVEMENT OR BACK OF CURB AND CAP AT AN ELEVATION OF 6 FEET DEEP.
10. INSTALL 8" SANITARY SEWER MAIN STUB OUT AND CAP FOR FUTURE CONNECTION. 0.40% MIN SLOPE.



HORIZON DRIVE – PROFILE VIEW
SCALE: HORIZ 1" = 40'; VERT 1" = 8'

REV. NO	DATE	REVISED	DESTROY ALL PRINTS BEARING EARLIER DATE	REV. BY	CKD. BY	APRD BY



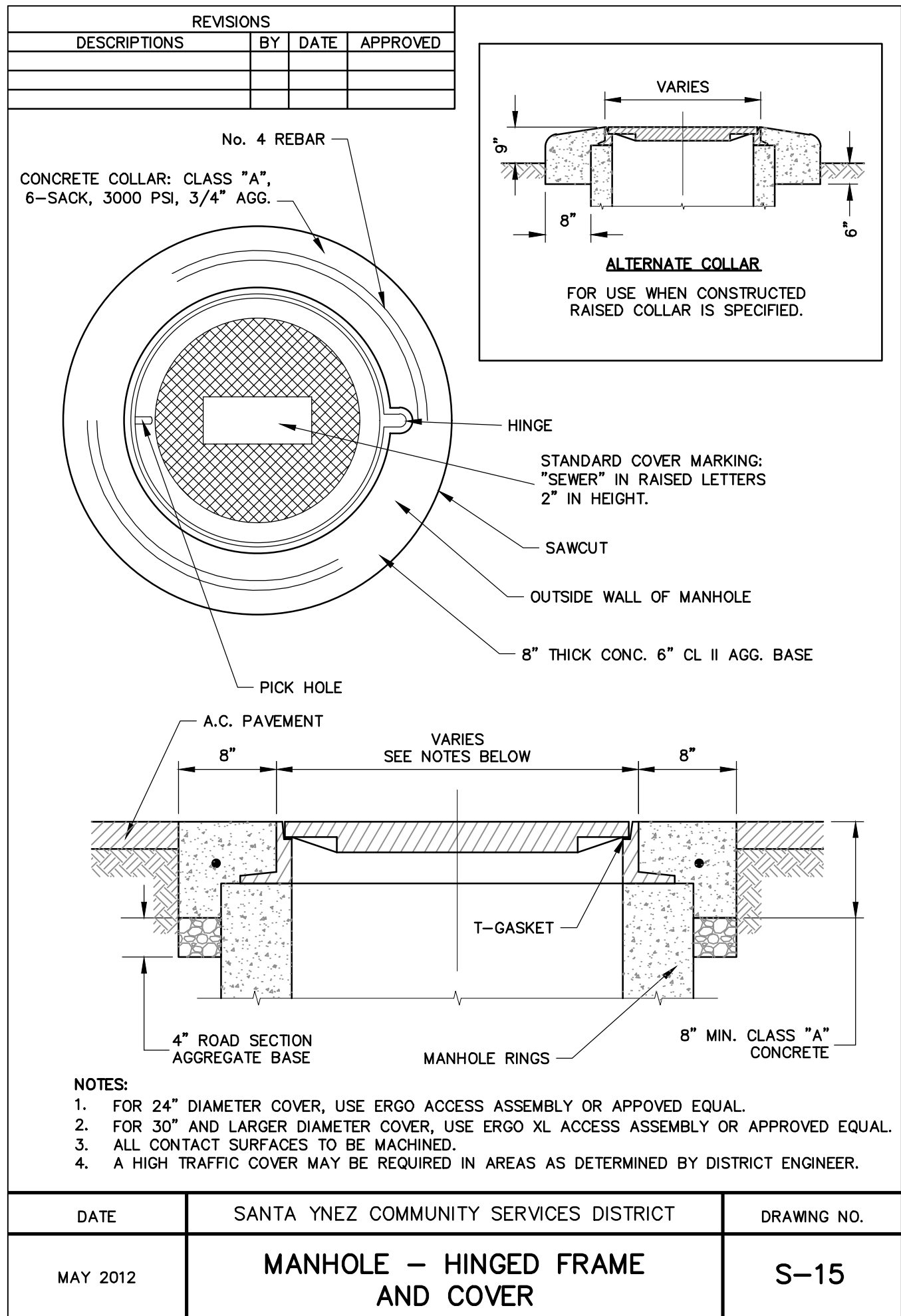
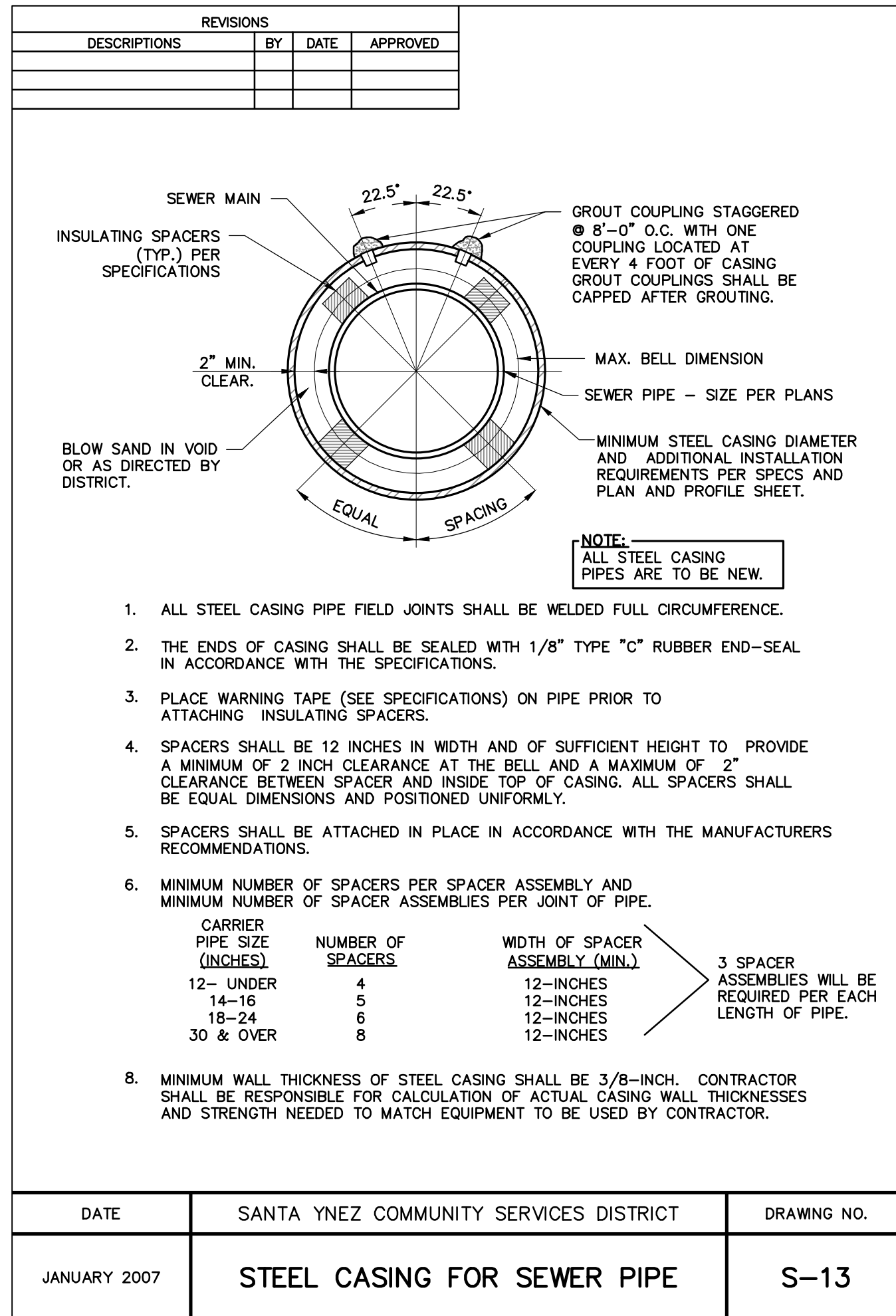
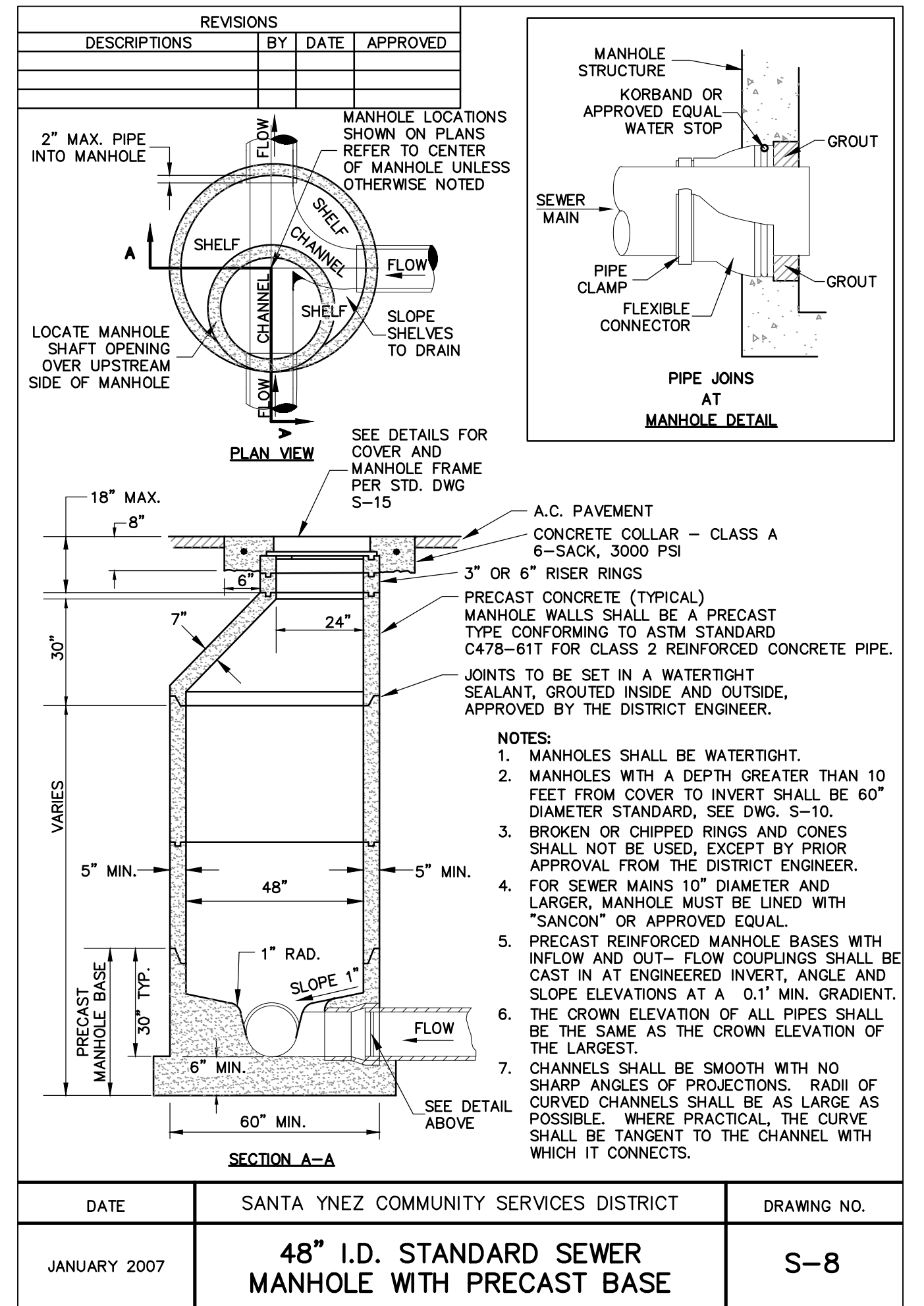
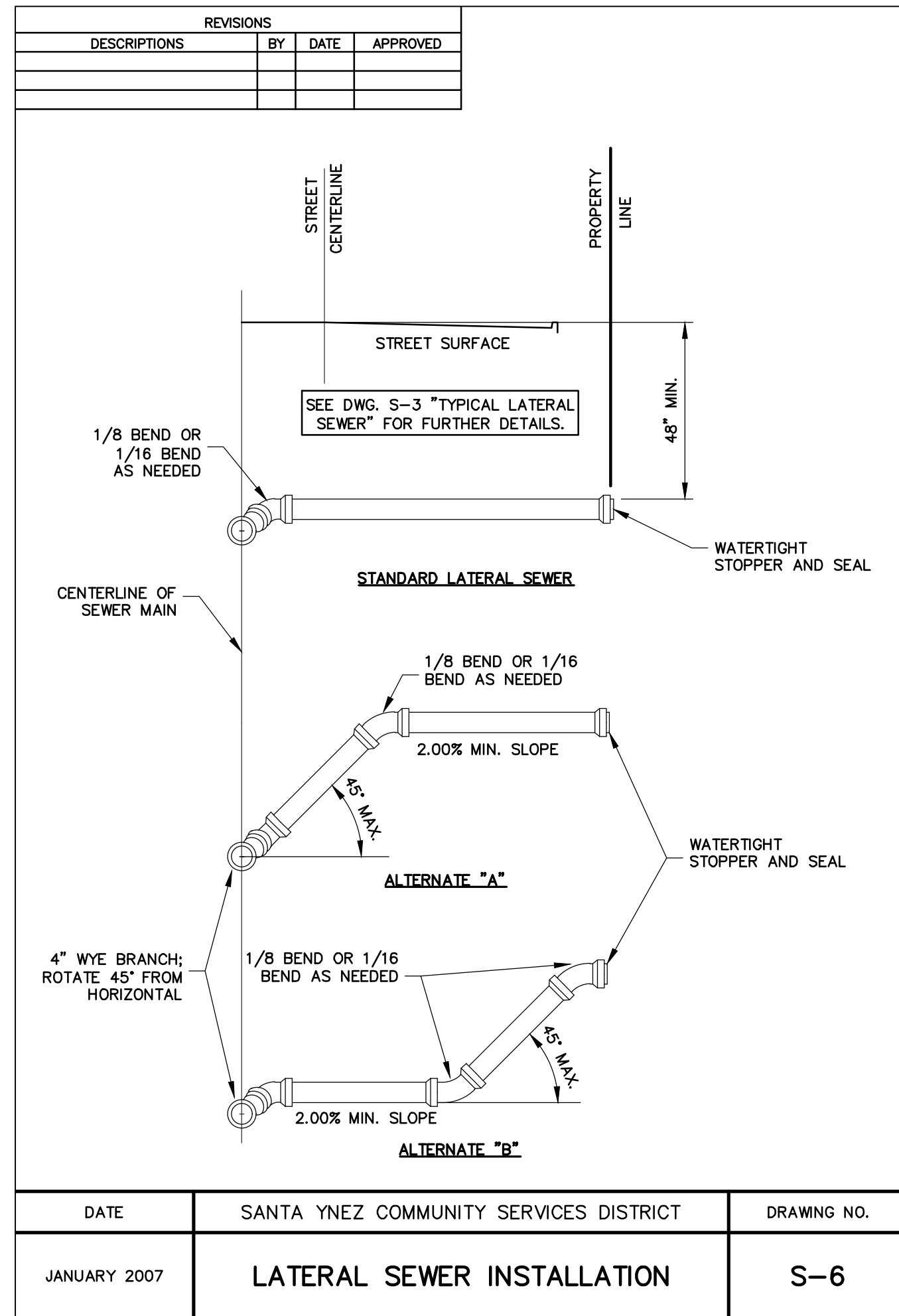
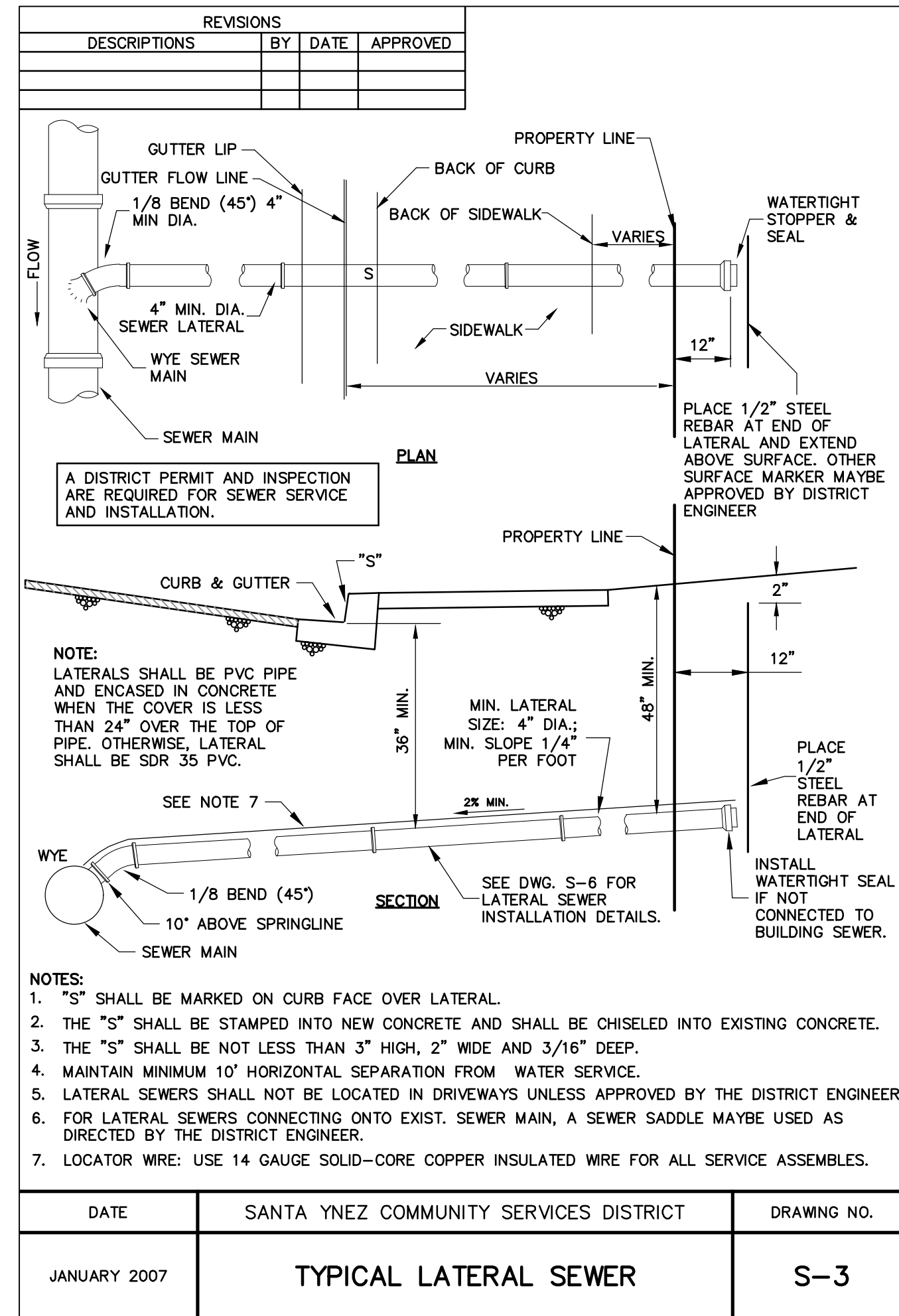
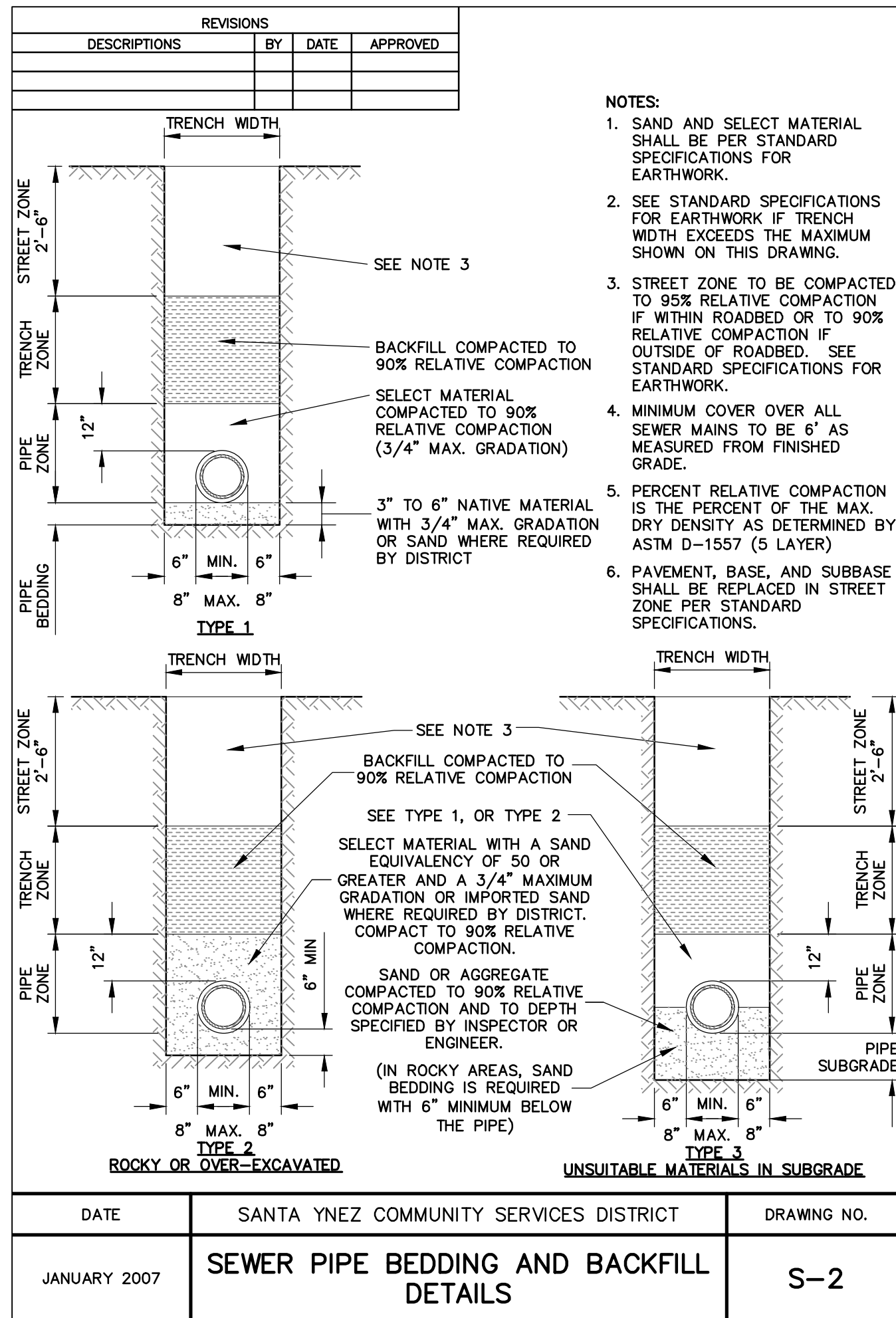
SANTA YNEZ COMMUNITY SERVICES DISTRICT
WEST SEWER SYSTEM EXPANSION PHASE I

**HORIZON DRIVE
PLAN AND PROFILE**
SANTA YNEZ, CALIFORNIA

DRAWN BY JAK/CMM/JD/NP	DATE 03/17/21	CA JOB NO. 040525.03
CHECKED BY LK	SCALE 1" = 40'	SHEET 4 OF 6

F:\proj\2004\040525\040525-03\3 project design\Civil\construction drawings\redesign - 8 inch sewer\CE0-0525-03SS0001.dwg 3-15-21 03:45:29 PM nluip





REV. NO.	DATE	REVISED	DESTROY ALL PRINTS BEARING EARLIER DATE	REV. BY	CKD. BY	APRD. BY

1050 Southwood Drive
San Luis Obispo, CA 93401
P 805.544.7407 F 805.544.3863

THESE DRAWINGS ARE INSTRUMENTS OF SERVICE AND ARE THE PROPERTY OF CANON. ALL DESIGNS AND INFORMATION ON THESE DRAWINGS ARE FOR USE OF THE SPECIFIED PROJECT AND SHALL NOT BE USED OTHERWISE OR REPRODUCED WITHOUT THE EXPRESSED WRITTEN PERMISSION OF CANON.

SANTA YNEZ COMMUNITY SERVICES DISTRICT WEST SEWER SYSTEM EXPANSION PHASE I DETAIL SHEET		
SANTA YNEZ, CALIFORNIA		
DRAWN BY JAK/CMM/JD/NP	DATE 3/17/21	CA JOB NO. 040525.03
CHECKED BY LK	SCALE AS SHOWN	SHEET 6 OF 6

F:\proj\2004\040525\040525.03\3 project design\Civil\construction drawings\yedeign 3-15-21 03:47:14 PM nhip